



SOUNDPROOF INTERIOR WINDOWS

Cityproof Corporation
10-11 43rd Avenue
Long Island City, NY 11101

Tel. (718) 786-1600
Fax (718) 786-2713
info@cityproof.com
www.cityproof.com

"OVER 45,000 INSTALLATIONS SINCE 1960"



"IMPROVING THE QUALITY OF LIVING & WORKING ENVIRONMENTS FOR OVER 50 YEARS"

- CUSTOM MADE TO "MIRROR" EXTERIOR WINDOW CONFIGURATIONS
- BLEND IN AND VIRTUALLY DISAPPEAR WHEN INSTALLED
- MORE ECONOMICAL THAN REPLACING YOUR EXISTING WINDOWS
- OUR WINDOW PANELS SLIDE & LIFT OUT FOR CLEANING & ACCESS TO THE EXTERIOR WINDOWS
- LARGE SELECTION OF COLORS AND FINISHES
- WE MANUFACTURE & INSTALL WINDOWS, DOORS & A/C ENCLOSURES
- LEADING CHOICE OF ARCHITECTS, DESIGNERS & ACOUSTICAL CONSULTANTS



- UP TO 95% NOISE REDUCTION
- 99% ELIMINATION OF DRAFT & DIRT
- REDUCED UTILITY BILLS
- FREE CONSULTATIONS



PLEASE VISIT US AT WWW.CITYPROOF.COM FOR MORE INFORMATION



SOUNDPROOF INTERIOR WINDOWS

Cityproof Corporation
10-11 43rd Avenue
Long Island City, NY 11101

Tel. (718) 786-1600
Fax (718) 786-2713
info@cityproof.com
www.cityproof.com

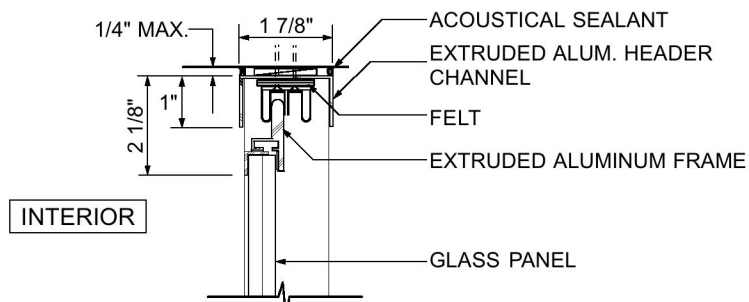
STYLE #11 2-PANEL SLIDING WINDOW



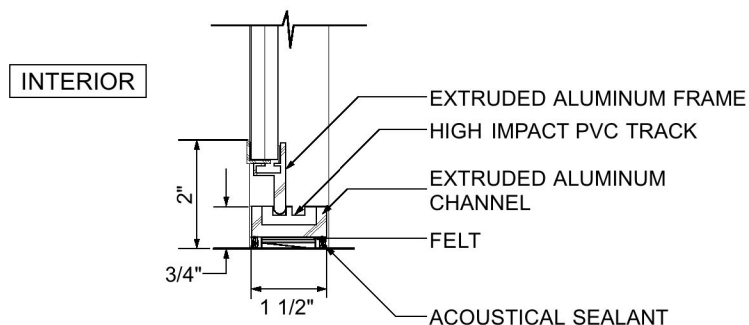
STYLE #11 (2-PANEL SLIDER)
CLEAR ANODIZED ALUMINUM WINDOW IN FRONT OF (2) DOUBLE HUNG WINDOWS IN ONE OPENING



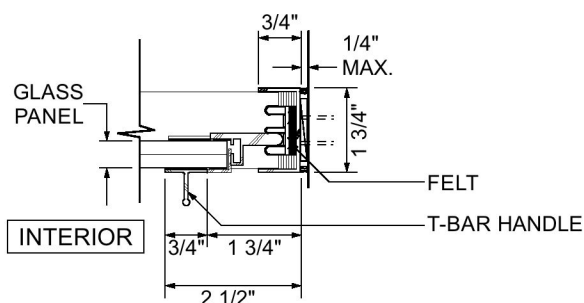
STYLE #11 (2-PANEL SLIDER)
DARK BRONZE ANODIZED ALUMINUM WINDOW IN FRONT OF (2) DOUBLE HUNG WINDOWS IN ONE OPENING



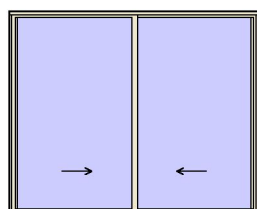
① HEAD DETAIL
SCALE = N.T.S.



② SILL DETAIL
SCALE = N.T.S.



③ JAMB DETAIL
SCALE = N.T.S.



THE STYLE #11 WINDOW CONSISTS OF TWO (2) FULL-HEIGHT HORIZONTALLY SLIDING/LIFT-OUT FRAMED GLASS PANELS. **THE FRAME DEPTH FOR THIS UNIT STYLE IS 2\"**

STANDARD FRAME COLORS INCLUDE:
BAKED WHITE ENAMEL
BAKED LINEN WHITE ENAMEL
CLEAR ALUMINUM ANODIZED
DARK BRONZE ANODIZED

CUSTOM COLORS ARE ALSO AVAILABLE

IN MOST CASES EXISTING BLINDS & SHADES CAN BE MOVED FORWARD IN FRONT OF THE CITYPROOF WINDOW



SOUNDPROOF INTERIOR WINDOWS

Cityproof Corporation
10-11 43rd Avenue
Long Island City, NY 11101

Tel. (718) 786-1600
Fax (718) 786-2713
info@cityproof.com
www.cityproof.com

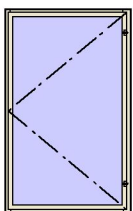
STYLE #12 HINGED WINDOW



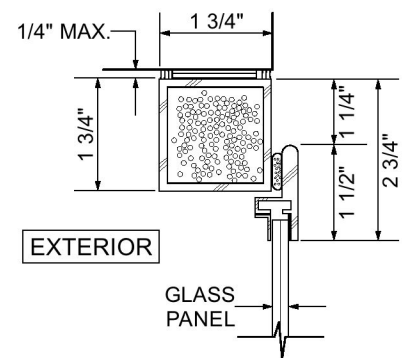
STYLE #12 (HINGED UNIT)
BAKED WHITE ENAMEL PAINTED HINGED UNIT WINDOW IN FRONT OF A WHITE DOUBLE HUNG WINDOW. A GOOD CHOICE WHEN SILL DEPTH IS LIMITED.



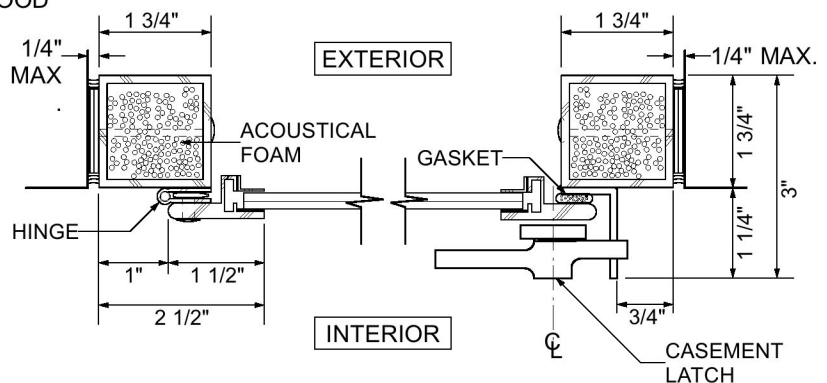
STYLE #12 (HINGED UNIT)
BAKED WHITE ENAMEL PAINTED HINGED UNIT WINDOW IN FRONT OF A DARK BRONZE DOUBLE HUNG WINDOW.



THE STYLE #12 WINDOW CONSISTS OF ONE (1) FULL-HEIGHT HINGED FRAMED GLASS PANEL. THE UNIT INCLUDES 1 3/4" X 1 3/4" PERIMETER FRAMING, FULL-LENGTH STAINLESS STEEL HINGE AND TWO CASEMENT LATCHES WITH CATCHES FOR THE HINGED PANEL. THE PANEL CAN BE HINGED ON EITHER THE LEFT OR THE RIGHT SIDE. **THE FRAME DEPTH FOR THIS UNIT STYLE IS 1 3/4" DEEP.**



① HEAD DETAIL
SCALE = N.T.S.



② JAMB DETAIL AT HINGE
SCALE = N.T.S.

③ JAMB DETAIL AT LATCH
SCALE = N.T.S.

STANDARD FRAME COLORS INCLUDE:
BAKED WHITE ENAMEL
BAKED LINEN WHITE ENAMEL
CLEAR ALUMINUM ANODIZED
DARK BRONZE ANODIZED

CUSTOM COLORS ARE ALSO AVAILABLE

IN MOST CASES EXISTING BLINDS & SHADES CAN BE MOVED FORWARD IN FRONT OF THE CITYPROOF WINDOW



SOUNDPROOF INTERIOR WINDOWS

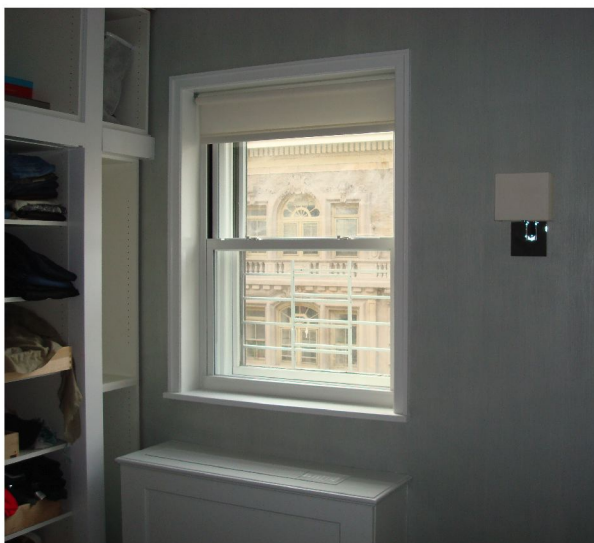
Cityproof Corporation
10-11 43rd Avenue
Long Island City, NY 11101

Tel. (718) 786-1600
Fax (718) 786-2713
info@cityproof.com
www.cityproof.com

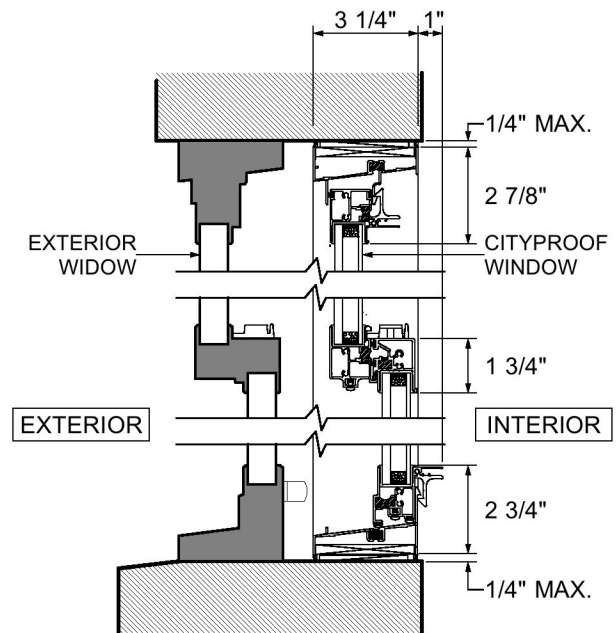
STYLE #14 DOUBLE HUNG WINDOW



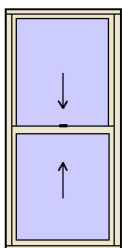
STYLE #14 (DOUBLE HUNG WINDOW)
BAKED WHITE ENAMEL PAINTED WINDOW IN
FRONT OF A DARK BRONZE ANODIZED WINDOW



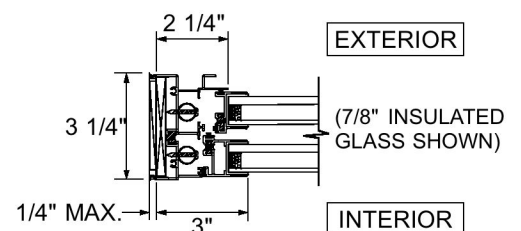
STYLE #14 (DOUBLE HUNG WINDOW)
BAKED WHITE ENAMEL PAINTED WINDOW IN
FRONT OF A WHITE PAINTED WINDOW IN A
LANDMARKED DISTRICT



① TYPICAL SECTION DETAIL
SCALE = N.T.S.



THE STYLE #14 WINDOW IS A DOUBLE HUNG, TILT-SASH INTERIOR WINDOW WITH TWO (2) VERTICALLY SLIDING FRAMED GLASS PANELS. **THE FRAME DEPTH FOR THIS UNIT STYLE IS 3 1/4\"**



② DETAIL: LEFT JAMB
SCALE = N.T.S.

IN MOST CASES EXISTING BLINDS & SHADES CAN BE MOVED FORWARD IN FRONT OF THE CITYPROOF WINDOW



SOUNDPROOF INTERIOR WINDOWS

Cityproof Corporation
10-11 43rd Avenue
Long Island City, NY 11101

Tel. (718) 786-1600
Fax (718) 786-2713
info@cityproof.com
www.cityproof.com

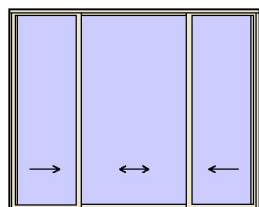
STYLE #15 3-PANEL SLIDING WINDOW



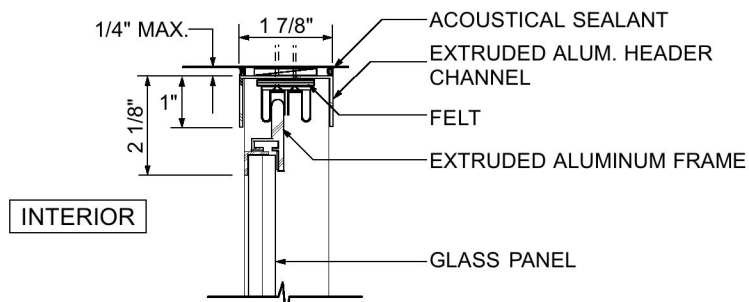
STYLE #15 (3-PANEL SLIDER)
CLEAR ANODIZED ALUMINUM WINDOW IN FRONT OF (2) DOUBLE HUNG WINDOWS & (1) FIXED PANEL WINDOW IN ONE OPENING



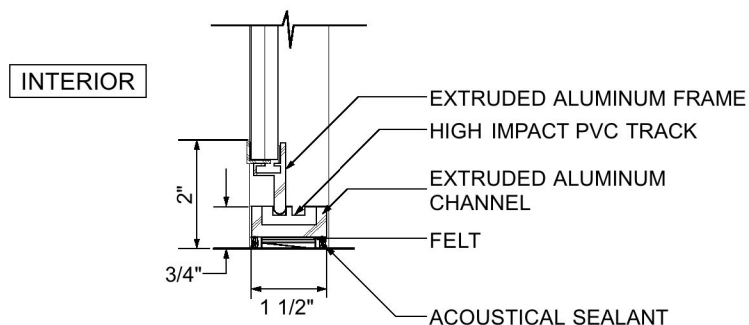
STYLE #15 (3-PANEL SLIDER)
BAKED WHITE ENAMEL PAINTED WINDOW IN FRONT OF (3) WINDOWS IN ONE OPENING



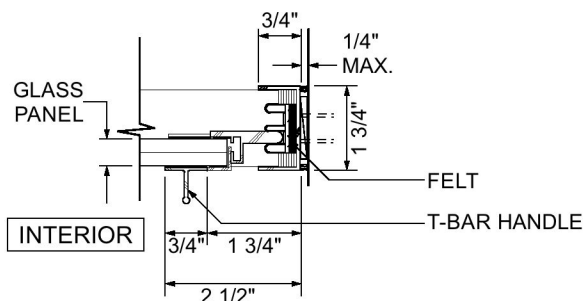
THE STYLE #15 WINDOW CONSISTS OF THREE (3) FULL-HEIGHT HORIZONTALLY SLIDING/LIFT-OUT FRAMED GLASS PANELS. **THE FRAME DEPTH FOR THIS UNIT STYLE IS 2".**



① HEAD DETAIL
SCALE = N.T.S.



② SILL DETAIL
SCALE = N.T.S.



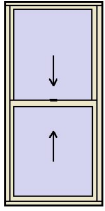
③ JAMB DETAIL
SCALE = N.T.S.

STANDARD FRAME COLORS INCLUDE:
BAKED WHITE ENAMEL
BAKED LINEN WHITE ENAMEL
CLEAR ALUMINUM ANODIZED
DARK BRONZE ANODIZED

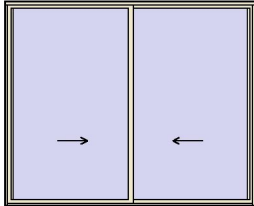
CUSTOM COLORS ARE ALSO AVAILABLE

IN MOST CASES EXISTING BLINDS & SHADES CAN BE MOVED FORWARD IN FRONT OF THE CITYPROOF WINDOW

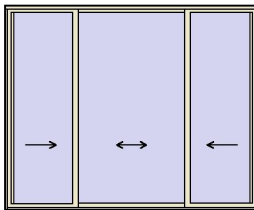
SOME OF OUR MOST COMMON WINDOW STYLES ARE SHOWN BELOW



THE STYLE #14 WINDOW IS A DOUBLE HUNG, TILT-SASH INTERIOR WINDOW WITH TWO (2) VERTICALLY SLIDING FRAMED GLASS PANELS. THE FRAME DEPTH FOR THIS UNIT STYLE IS 3 1/4". THIS STYLE WINDOW IS USED IN SINGLE WINDOW CONFIGURATIONS AND OFTEN IN OLDER AND LANDMARKED BUILDINGS.



THE STYLE #11 WINDOW CONSISTS OF TWO (2) FULL-HEIGHT HORIZONTALLY SLIDING/LIFT-OUT FRAMED GLASS PANELS. THE FRAME DEPTH FOR THIS UNIT STYLE IS 2". THIS STYLE WINDOW IS COMMONLY USED IN FRONT OF (2) DOUBLE HUNG WINDOWS IN (1) OPENING OR (2) HORIZONTALLY SLIDING UNITS.



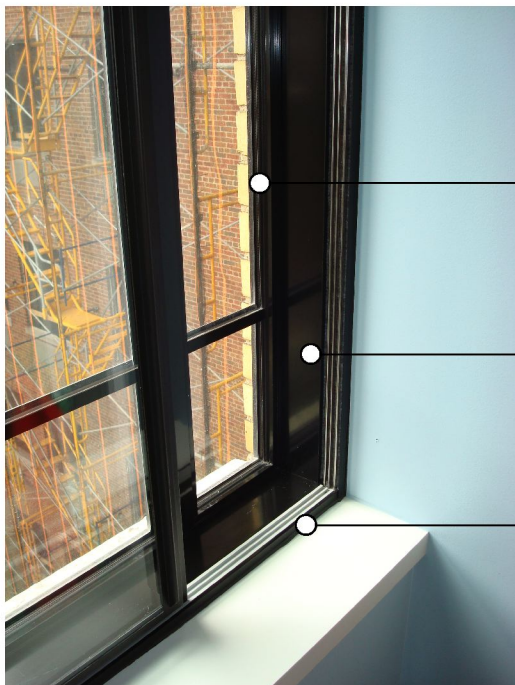
THE STYLE #15 WINDOW CONSISTS OF THREE (3) FULL-HEIGHT HORIZONTALLY SLIDING/LIFT-OUT FRAMED GLASS PANELS. THE FRAME DEPTH FOR THIS UNIT STYLE IS 2". THIS STYLE WINDOW IS OFTEN USED IN FRONT OF A FIXED OR OPERABLE CENTER WINDOW FLANKED BY (2) DOUBLE HUNG WINDOWS OR (3) HORIZONTALLY SLIDING UNITS.



WE CUSTOM MANUFACTURE OUR WINDOWS TO SUIT YOUR PARTICULAR WINDOW CONFIGURATION NEEDS

HOW IT WORKS

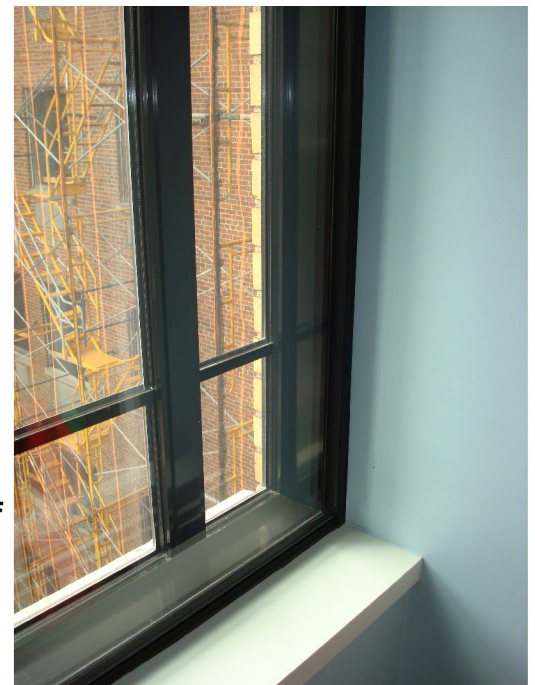
THE **CITYPROOF INTERIOR WINDOW** WORKS IN CONJUNCTION WITH YOUR EXISTING EXTERIOR WINDOW TO CREATE A "BUFFER ZONE" (AIR SPACE) THAT SEALS OUT NOISE, DRAFT & DIRT



EXISTING EXTERIOR WINDOW REMAINS AS-IS

"BUFFER ZONE" AIR SPACE

CITYPROOF SOUNDPROOF INTERIOR WINDOW



CITYPROOF WINDOW IN THE OPEN POSITION (DARK BRONZE ANODIZED SHOWN)

CITYPROOF WINDOW IN THE CLOSED POSITION (DARK BRONZE ANODIZED SHOWN)

IN MOST CASES EXISTING BLINDS & SHADES CAN BE MOVED FORWARD IN FRONT OF THE CITYPROOF WINDOW